



Veritech's WedgeLink (AN/PRC-148 with OEM Battery)

The Veritech Original Equipment Manufacturer (OEM) Power and Data Adapter (PDA) is designed to seamlessly integrate with the AN/PRC-148 radio, enabling it to receive external power from the Conformal Wearable Battery (CWB) for operation while also charging the OEM battery. Through pogo pin and pad connections, the Data Adapter (DA) can transfer power to the Power Adapter (PA). The PA charges the OEM Battery when connected to the CWB. Additionally, the DA facilitates reliable data transmission from the radio and channels CWB power through its red and black connectors, ensuring full compliance with Nett Warrior (NW) interface standards.

Key Features

- **Compact & Lightweight:** Easy to carry and integrate
- **Rugged Aluminum Constructions:** MIL-STD-810H compliant
- **Universal Radio Connection:** PA is compatible with AN/PRC-163 and AN/PRC-148 C/D
- **Universal Battery Interface:** Supports OEM batteries for AN/PRC radios
- **Power Adapter Integration:** Works seamlessly with DAs
- **Extreme Environment Performance:** IP68-rated for harsh conditions
- **EMI & RF Protection:** Meets MIL-STD-461G, ensuring no radio desensitization



WedgeLink

1070 Hardees Drive
Aberdeen, MD 21001

VERITECH

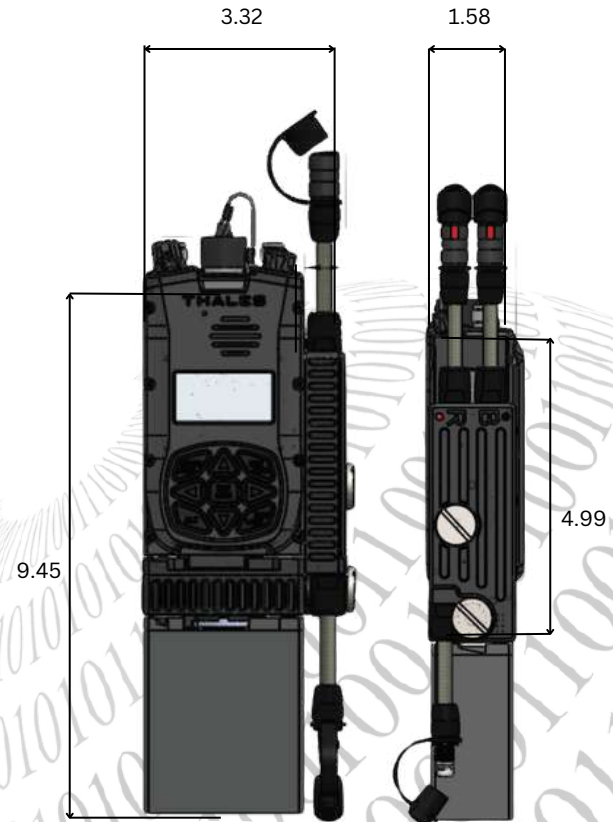
+1 (443) 216-9050
info@veritech.com



Extensive testing and Soldier feedback has optimized the Veritech **WedgeLink** for the toughest operational environments, ensuring it meets the high demands of Warfighters in the field. Built to exceed both MIL-STD-810H environmental and MIL-STD-461G EMI standards, the Veritech **WedgeLink** combines rugged durability with dependable performance. Specifically designed for the AN/PRC-163 and AN/PRC-148 radios, it streamlines mission configurations, eliminating the need for multiple adapters and simplifying soldier kits. Engineered with precision, it offers a cost-effective, forward-looking solution tailored to meet tactical communication requirements for years to come.

Mechanical & Electrical Properties

PARAMETER	CHARACTERISTIC
Weight	0.66 Lbs.
Size	4.99" x 3.32" x 1.58"
Input Connector	Mighty Mouse Series 80 or Equiv.
Output Connector	Mighty Mouse Series 80 or Equiv.
Applicable Standards	MIL-STD 810H; MIL-STD 461G
Operating Temperature Range	-40C to 60C
Storage Temperature Range	-60C to 70C
Input Voltage	10 VDC to 20 VDC
Input Power	110 W
Radio Voltage	9.6 VDC to 34.3 VDC
Auxiliary Output Power	5 VDC to 14.8 VDC
Efficiency	94%
Li-ion Battery Charge Time	3 hours typical



ISO
9001:2015
CERTIFIED
Cert. No. US4879



VERITECH

+1 (443) 216-9050
info@veritech.com