



## Veritech's WedgeLink (AN/PRC-148 with STUB)

The Veritech Small Tactical Universal Battery (STUB) Power and Data Adapter (PDA) is engineered for seamless integration with the AN/PRC-148 radio, delivering external power from the Conformal Wearable Battery (CWB) to operate the radio and charge the STUB battery. Utilizing pogo pin and pad connections, the Data Adapter (DA) transfers power to the Power Adapter (PA) via a dedicated cable. The DA ensures robust data transmission from the radio and supplies CWB power through the red and black connectors atop the PDA, meeting all Nett Warrior interface requirements. The AN/PRC-148 STUB PDA is a rugged device providing superior performance while maintaining the integrity of the radio across the most sensitive waveforms.

### Key Features

- **Compact & Lightweight:** Easy to carry and integrate
- **Rugged Aluminum Constructions:** MIL-STD-810H compliant
- **Universal Radio Connection:** Compatible with AN/PRC-163 and AN/PRC-148 C/D
- **Universal Battery Interface:** Supports STUB MIL-PRF-32283/7 battery for AN/PRC radios
- **Power Adapter Integration:** Works seamlessly with Veritech WedgeLink DAs
- **Extreme Environment Performance:** IP68-rated for harsh conditions
- **EMI & RF Protection:** Meets MIL-STD-461G, ensuring no radio desensitization



# WedgeLink

1070 Hardees Drive  
Aberdeen, MD 21001

VERITECH

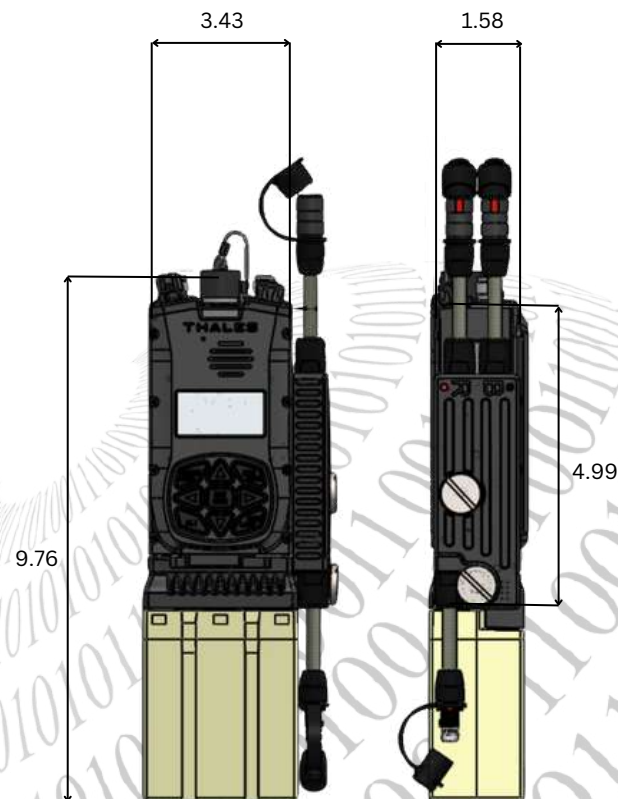
+1 (443) 216-9050  
info@veritech.com



Extensive testing and Soldier feedback has optimized the Veritech **WedgeLink** for the toughest operational environments, ensuring it meets the high demands of Warfighters in the field. Built to exceed both MIL-STD-810H environmental and MIL-STD-461G EMI standards, the Veritech **WedgeLink** combines rugged durability with dependable performance. Specifically designed for the AN/PRC-163 and AN/PRC-148 radios, it streamlines mission configurations, eliminating the need for multiple adapters and simplifying soldier kits. Engineered with precision, it offers a cost-effective, forward-looking solution tailored to meet tactical communication requirements for years to come.

## Mechanical & Electrical Properties

PARAMETER	CHARACTERISTIC
Weight	0.66 Lbs.
Size	4.99" x 3.43" x 1.58"
Input Connector	Mighty Mouse Series 80 or Equiv.
Output Connector	Mighty Mouse Series 80 or Equiv.
Applicable Standards	MIL-STD 810H; MIL-STD-461G
Operating Temperature Range	-40C to 60C
Storage Temperature Range	-60C to 70C
Input Voltage	10 VDC to 20 VDC
Input Power	110 W
Radio Voltage	9.6 VDC to 34.3 VDC
Auxiliary Output Power	5 VDC to 14.8 VDC
Efficiency	91%
Li-ion Battery Charge Time	3 hours typical



**ISO**  
9001:2015  
CERTIFIED  
Cert. No. US4879



**VERITECH**

+1 (443) 216-9050  
info@veritech.com